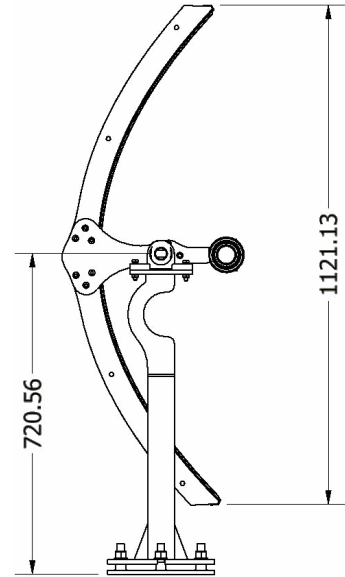
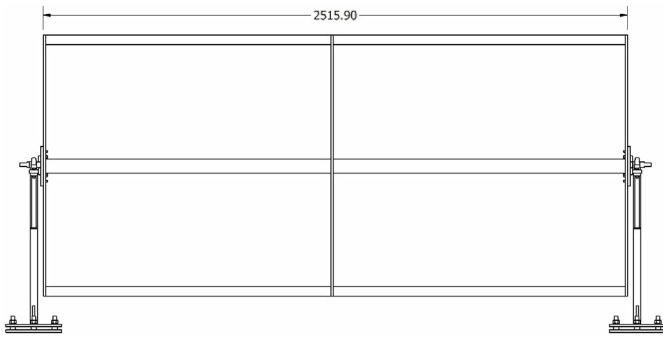


PTC - 1100



COLLECTOR

PARAMETER	VALUES
Length	2500 mm
Width	1100 mm
Aperture Area	2,75 m ²
Material	Aluminum
Mirror Surface Material	Polished Aluminum

ABSORBER

PARAMETER	VALUES
Material	Steel
Hull Material	Glass

PERFORMANCE

PARAMETER	VALUES
Concentration	Up to 40
Temperature Range	100°C–250°C

