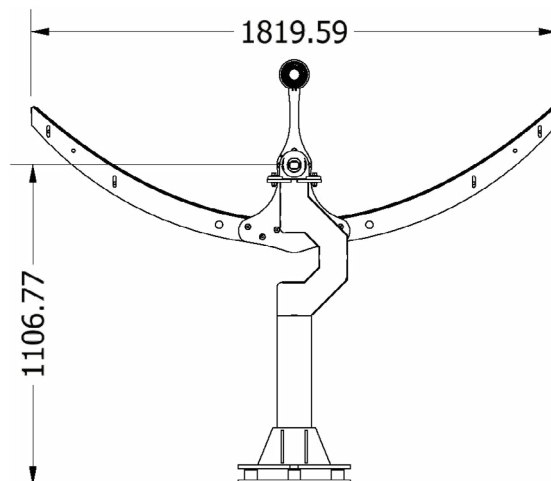
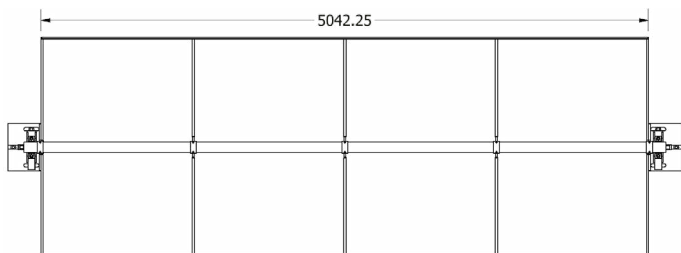


# PTC - 1800



## COLLECTOR

PARAMETER	VALUES
Length	5100 mm
Width	1800 mm
Aperture Area	9 m <sup>2</sup>
Material	Aluminum
Mirror Surface Material	Polished Aluminum

## ABSORBER

PARAMETER	VALUES
Material	Steel
Hull Material	Glass

## PERFORMANCE

PARAMETER	VALUES
Concentration	Up to 50
Temperature Range	100°C–250°C

